



CONDENSERS

Sati International Scientific Inc.

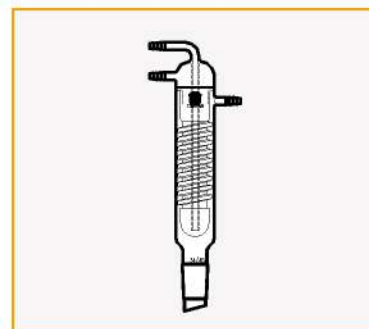
965 Reverchon St-Laurent (Quebec) Canada H4T 4L2

Email: sales@satiinternational.com | Tollfree: 1 (833) 636-7850

www.satiinternational.com

Condenser, Freidrichs

This condenser comes with a special inner tube that provides a long vapor path. Its special design provides good heat transfer and anti-flooding characteristics.



Catalog No.	Description	Height	Pack Type
CS-C02334550	CONDENSER, FRIEDRICHS Joint 45/50 Hose Connection	340 mm	Each

Condenser, Reflux, Jacketed Coil

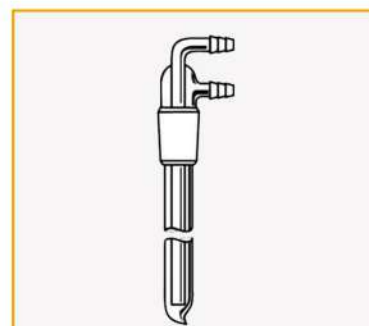
Condenser with an interior coil-type cold finger. Vapors spiraling up are concise on the inner wall of the jacket and on the outer surface of the coil. Condenser encompasses a Standard Taper outer joint at the top, a regular Taper inner drip joint at the bottom and two hose connectors at the top for water inlet and outlet.



Catalog No.	Description	Jacket Height	Joint Size	Hose Connection	Pack Type
CS-C0334250A	Condenser, Reflux, Jacketed Coil, 390mm	250 mm	24/40	10 mm	Each
CS-C0334300A	Condenser, Reflux, Jacketed Coil, 440mm	300 mm	24/40	10 mm	Each
CS-C0334400A	Condenser, Reflux, Jacketed Coil, 440mm	400 mm	24/40	10 mm	Each
CS-C0334500A	Condenser, Reflux, Jacketed Coil	500 mm	24/40	10 mm	Each

Condenser, Cold Finger, With Drip Tip

Extended offset lower tip for drop control.



Catalog No.	Description	Joint Size	Below Joint	Hose O.D.	Pack Type
CS-C0111420	Condenser, Cold Finger, With Drip Tip	14/20	100 mm	8 mm	Each
CS-C0111922	Condenser, Cold Finger, With Drip Tip	19/22	100 mm	8 mm	Each
CS-C0114150	Condenser, Cold Finger, With Drip Tip	24/40	150 mm	8 mm	Each
CS-C0114200	Condenser, Cold Finger, With Drip Tip	24/40	200 mm	10 mm	Each
CS-C0112440	Condenser, Cold Finger, With Drip Tip	24/40	220 mm	10 mm	Each
CS-C0114250	Condenser, Cold Finger, With Drip Tip	24/40	250 mm	10 mm	Each

Condenser, Reflux

Coil style reflux condenser with tightly wrapped coil providing maximum cooling. Excellent for use with volatile solvents. Condenser has a top outer standard taper joint and a lower inner drip tip joint. Hose connections have an O.D. of 8mm or 10mm at the middle serration.



Catalog No.	Jacket Height	Joint Size	Height	Hose Connection	Pack Type
CS-C0261100	100 mm	14/20	205 mm	8 mm	Each
CS-C0262280	180 mm	14/20	305 mm	8 mm	Each
CS-C0264150	150 mm	24/40	275 mm	8mm	Each
CS-C0264175	175 mm	24/40	325 mm	10 mm	Each
CS-C0264225	225 mm	24/40	375 mm	10 mm	Each
CS-C0264275	275 mm	24/40	425 mm	10 mm	Each
CS-C0269100	100 mm	19/22	205 mm	8 mm	Each

Condenser, Coiled

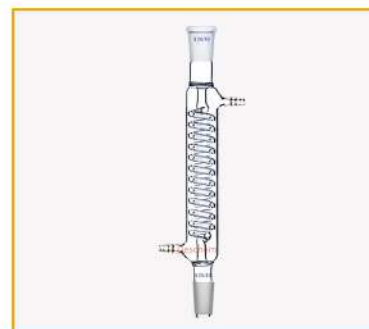
With joints at top and bottom.



Catalog No.	Description	Joint Size	Jacket Height	Hose O.D.	Pack Type
CS-C0121100	Condenser, Coiled, Jacket	14/20	100 mm	8 mm	Each
CS-C0121120	Condenser, Coiled, Jacket	14/20	120 mm	8 mm	Each
CS-C0129200	Condenser, Coiled, Jacket	19/22	200 mm	8 mm	Each
CS-C0124200	Condenser, Coiled, Jacket	24/40	250 mm	10 mm	Each
CS-C0124250	Condenser, Coiled, Jacket	24/40	300 mm	10 mm	Each
CS-C0124300	Condenser, Coiled, Jacket	24/40	400 mm	10 mm	Each
CS-C0124400	Condenser, Coiled, Jacket	24/40	200 mm	10 mm	Each

Condenser, Graham

With joints at the top and bottom. The vapor is passes through the coil of the condenser, which is surrounded by a cooling jacket.



Catalog No.	Jacket Height	Joint Size	Hose Connection	Pack Type
CS-C0141120	120 mm	14/20	8 mm	Each
CS-C0149120	120 mm	19/22	8 mm	Each
CS-C0144200	200 mm	24/40	8 mm	Each
CS-C0149200	200 mm	19/22	8 mm	Each
CS-C0144250	250 mm	24/40	10 mm	Each
CS-C0149250	250 mm	19/22	8 mm	Each
CS-C0144300	300 mm	24/40	10 mm	Each
CS-C0149300	300 mm	19/22	8 mm	Each
CS-C0144400	400 mm	24/40	10 mm	Each
CS-C0149400	400 mm	19/22	8 mm	Each
CS-C0144500	500 mm	24/40	10 mm	Each

Condenser West

With narrow tube space for high cooling efficiency.



Catalog No.	Jacket Height	Joint Size	Pack Type
CS-C0154100	100 mm	24/40	Each
CS-C0151110	110 mm	14/20	Each
CS-C0159110	110 mm	19/22	Each
CS-C0151190	190 mm	14/20	Each
CS-C0159190	190 mm	19/22	Each
CS-C0151200	200 mm	14/20	Each
CS-C0159200	200 mm	19/22	Each
CS-C0154200	200 mm	24/40	Each
CS-C0154300	300 mm	24/40	Each

Condenser, Reflux, Large Cooling Capacity

Jacket has an O.D. of 40mm while coil O.D. is 8mm to provide maximum cooling capacity.



Catalog No.	Joint Size	Coil Length	Height	Hose Connection	Pack Type
CS-C0314125	24/40	125 mm	300 mm	10 mm	Each
CS-C0314175	24/40	175 mm	350 mm	10 mm	Each

Condenser, Reflux, Bent 105°

Coil Section is 100mm in height.



Catalog No.	Description	Joint Size	Pack Type
CS-C0351420	Condenser, Reflux, Bent 105°, Coil Section is 100mm in height	14/20	Each
CS-C0351922	Condenser, Reflux, Bent 105°, Coil Section is 100mm in height	19/22	Each

Condenser, Internal Coil, Jacketed

Double cooling capacity.



Catalog No.	Jacket Height	Joint Size	Hose Connection	Pack Type
CS-C0334250	250 mm	24/40	10 mm	Each
CS-C0339250	250 mm	19/22	10 mm	Each
CS-C0334300	300 mm	24/40	10 mm	Each
CS-C0334400	400 mm	24/40	10 mm	Each
CS-C0334500	500 mm	24/40	10 mm	Each

Condenser, Allihn

With joints at the top and bottom. Greater surface area than Liebig condenser and used for vacuum distillations.



Catalog No.	Jacket Height	Joint Size	Hose Connection	Pack Type
CS-C0251120	120 mm	14/20	8 mm	Each
CS-C0259200	200 mm	19/22	8 mm	Each
CS-C0251200	200 mm	24/40	10 mm	Each
CS-C0254300	300 mm	24/40	10 mm	Each
CS-C0254400	400 mm	24/40	10 mm	Each
CS-C0254500	500 mm	24/40	10 mm	Each

Condenser, Liebig

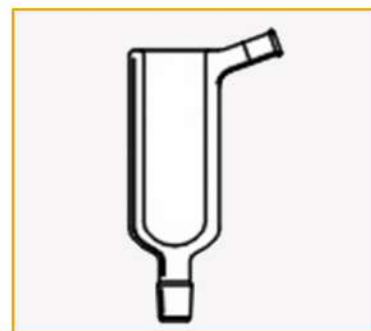
With joints at the top and bottom.



Catalog No.	Jacket Height	Joint Size	Hose Connection	Pack Type
CS-C0209110	110 mm	19/22	8 mm	Each
CS-C0201120	120 mm	14/20	8 mm	Each
CS-C0201150	150 mm	14/20	8 mm	Each
CS-C0209190	190 mm	19/22	10 mm	Each
CS-C0209200	200 mm	19/22	10 mm	Each
CS-C0204200	200 mm	24/40	10 mm	Each
CS-C0204250	250 mm	24/40	10 mm	Each
CS-C0209300	300 mm	19/22	10 mm	Each
CS-C0204300	300 mm	24/40	10 mm	Each
CS-C0201435	400 mm	14/35	10 mm	Each
CS-C0204400	400 mm	24/40	10 mm	Each
CS-C0204500	500 mm	24/40	10 mm	Each

Condenser, Dewar, Micro, 105°

With a standard taper top outer joint and a bottom inner joint, side Joint is at 105° angle.



Catalog No.	Inside Depth	Joint Size	I.D.	Pack Type
CS-C0281014	90 mm	14/20	31 mm	Each
CS-C0281019	90 mm	19/22	31 mm	Each
CS-C0281031	120 mm	14/20	31 mm	Each
CS-C0281931	120 mm	19/22	31 mm	Each
CS-C0282440	200 mm	24/40	40 mm	Each
CS-C0282450	250 mm	24/40	50 mm	Each
CS-C0282475	350 mm	24/40	75 mm	Each

Condenser, Dewar, Micro, 180°

Side joint is at 90° angle.



Catalog No.	Inside Depth	Joint Size	I.D.	Pack Type
CS-C0341014	90 mm	14/20	31 mm	Each
CS-C0341019	90 mm	19/22	31 mm	Each
CS-C0341031	120 mm	14/20	31 mm	Each
CS-C0341931	120 mm	19/22	31 mm	Each
CS-C0342440	200 mm	24/40	40 mm	Each
CS-C0342450	250 mm	24/40	50 mm	Each
CS-C0342475	350 mm	24/40	75 mm	Each

Condenser, Davies

Highly efficient condenser with additional cooling surface. The outer cooling surface prevents low-boiling point liquids from "climbing" up. The inner cooling surface provides "baffle" effect.



Catalog No.	Description	Jacket Height	Joint Size	Pack Type
187.202.01	Double surface (Davies) condenser	250 mm	24/40	Each
187.202.02	Double surface (Davies) condenser	300 mm	24/40	Each
187.202.03	Double surface (Davies) condenser	400 mm	24/40	Each

Condenser, Coiled, Drip Tip, Spherical Joint



Catalog No.	Description	Jacket Height	Joint Size	Pack Type
CS-C03520400	Condenser, Coiled, Spherical Joint Jacket	400 mm	35/20	Each



Supplying Specialist of
Laboratory Glassware & Consumables to
Scientist and Researchers

Sati International Scientific Inc.

965 Reverchon St-Laurent ,(Quebec) Canada H4T 4L2
Toll Free : 1 (833) 636-7850 | sales@satiinternational.com
www.satiinternational.com